


PRODUCT SHEET

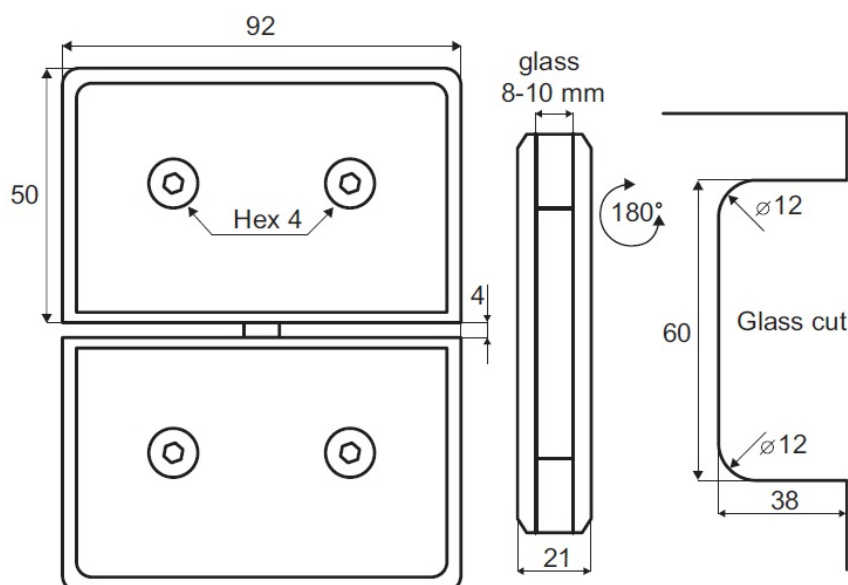
Description:

Shower Pivot Hinge "Lodz", Glass/Glass, SS-Look, 50x92x21mm, Brass Material, Incl. Gaskets, Screws & Templates, Self-, Centering When Within 15DG, Of Closed Position, 8-10mm Glass, Thickness

Item number:

15.23.905-0

Units	Box	Carton	HS Code	Barcode
Pcs.	1	10	8302100090	
				5704866060264



SISO A/S

Mileparken 11
DK-2740 Skovlunde
Denmark
VAT: DK 24786013

Phone +45 45 830 900

www.siso.dk
siso@siso.dk

Danske Bank
Nytorv Branch
Copenhagen
SWIFT: DABADKKK

Account no.
4180 3112 112936
IBAN Account
DK7230003112112936